

SS30-PT-S

User's Manual

Copyright 2024

Peripheral Technology

Last update 2/19/2024

SS30-PT-S

The PT-S is a replacement board for the SWTPC MP-S serial board. The PT-S has connectors for RS232 using DB-9 male and female as well as the molex connector used by the original SWTPC MP-S board. Only one of the connectors can be used at a time. The multiple choices are for making it more convenient to connect an RS232 between the PT-S and your terminal device. The DB-9 connectors are setup to use USB to RS232 cables to connect the MP-S to a PC using a terminal program. USB to DB-9 cables are available from many sources including eBay and AMAZON and typically sell for a little over \$10. One cable we have used is sold on AMAZON and described as:

CableCreation USB to RS232 Adapter with PL2303 Chipset.

Baud Rates

The baud rate is set by a jumper on JP10. Only one jumper should be installed. It's possible the baud rates marked on the board don't match what your system actually produces. Many systems redefine the original baud rates, often to higher baud rate than were originally used.

IRQ

JP7 is to enable IRQ's. On FLEX systems IRQ is not normally needed and can be left un-jumpered. When running OS9, JP7 must be jumpered.

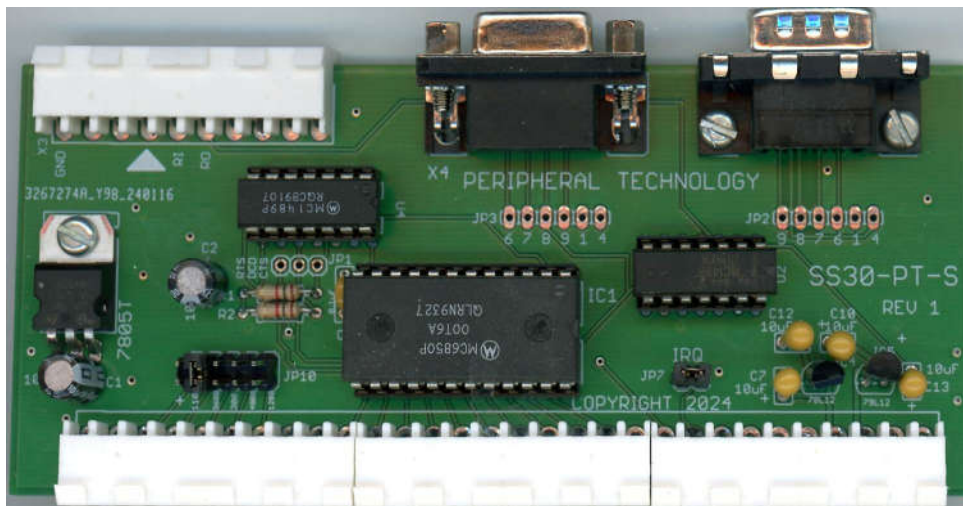
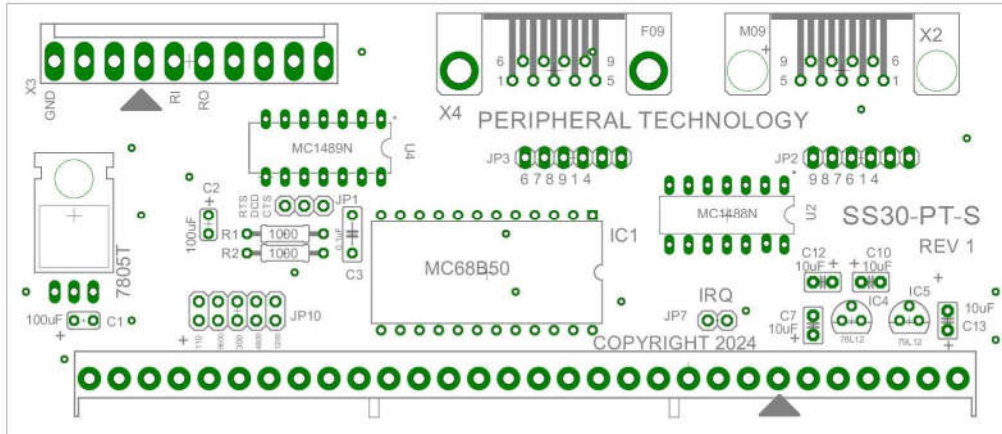
Installation

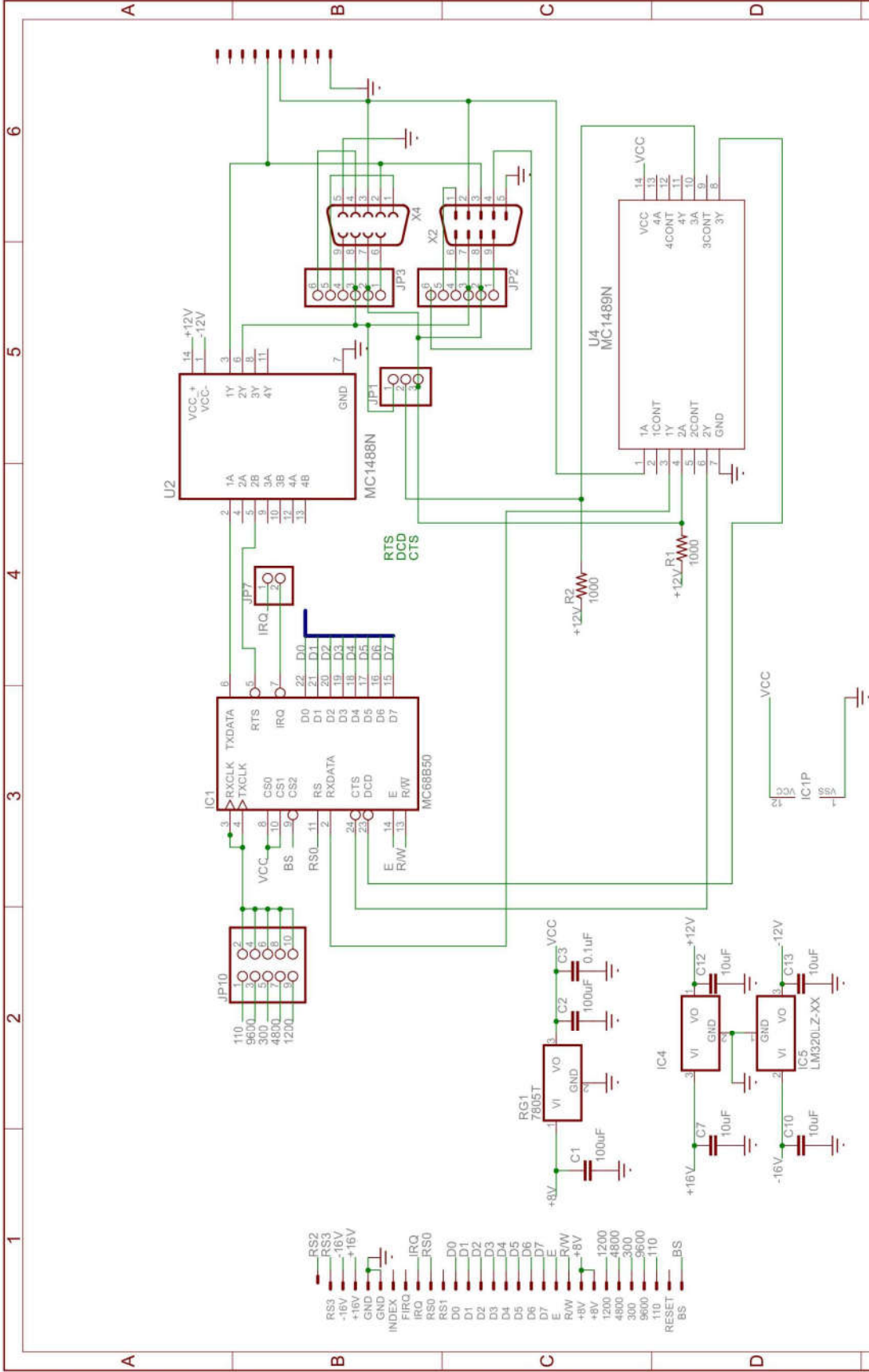
The MP-S is installed in slot 1 for a 6800 system and slot 0 for a 6809 system. This assumes 4 addresses per slot for the 6800 and 16 addresses per slot for the 6809 system.

Parts List SS30-PT-S

Quantity	Designation	Description
1	R1-R2	1000 1/4 Watt Resistor
2	C1,C2	100uF 16 V Electrolytic Capacitor
1	C3	0.1uF ceramic Capacitor
4	C7,C10,C11 C13	10uF Tantalum 16V Capacitor
1	IC1	MC6850 MC68B50 for 2MHZ systems
1	U2	1488
1	U4	1489
1	IC4	78L12
1	IC5	79L12
1		7805 Hardware, #4 screw, washer, nut to attach 7805
1		24 pin IC socket
2		14 pin IC socket
1	JP7	1x2 header strip
1	JP10	2x5 header strip
1	X4	DB-9F right angle connector
1	X2	DB-9M right angle connector
1		Shorting Plug
2		Index Pin for Molex Connector Molex 0015040219
4		Molex Connector - 0009482101
1		SS30-MP-S

Parts Placement SS30-PT-S





Peripheral Technology

TITLE: PT-SS30-RS232

Document Number:

REV: 1

Date: not saved.

Sheet: 1/1